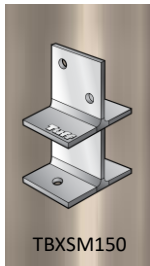
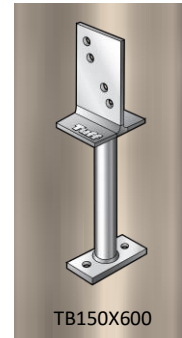
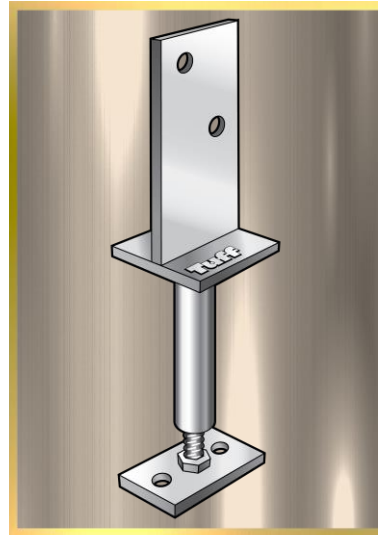
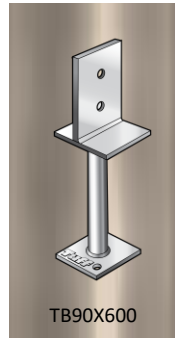
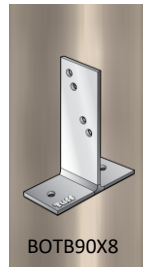


TB90ADJ

T BLADE STIRRUP, HEAVY DUTY, ADJUSTABLE



PRODUCT CODE	: TB90ADJ
BARCODE	: 9314691808533
BLADE SIZE	: 90MM X 150MM
SHAFT HEIGHT	: 150MM-300MM
SHAFT Ø	: 42MM
POST BOLT HOLE	: M20
MADE FROM	: 5MM
FINISHING	: HOT DIP GALVANISED

NOTES:

- IDEAL FOR PERGOLA, CARPORT AND VERANDA POSTS
- PRIMARILY USED FOR BOLTING TO EXISTING TIMBER DECKING OR CONCRETE BASE
- SUITS 90MM TIMBER POST
- USED TO ADJUST HEIGHT OF T-BLADE TO SUIT VARIATION IN FLOORING LEVEL